



Polarization Maintaining Optical Circulator (PM CIR Series)

Spec Review No.: SR3459C Date: Jun. 05, 2012

The Polarization Maintaining Optical Circulator is a compact high performance lightwave component that routes incoming signals from Port 1 to Port 2, and incoming Port 2 signals to Port 3. The component provides high isolation, low insertion loss, high extinction ratio, and excellent environment stability.

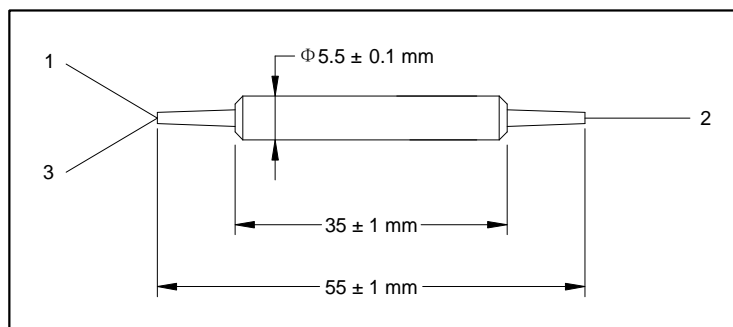
Specifications

Parameter	Unit	Type B
Center Wavelength (λ_c)	nm	1310 or 1550
Operating Wavelength Range	nm	$\lambda_c \pm 20$
Typ. Insertion Loss, λ_c , 23 °C	dB	0.7
Max. Insertion Loss	dB	1.0
Peak Isolation	dB	40
Typ. Isolation, λ_c , 23 °C (2->1)	dB	35
Min. Isolation, 23 °C (2->1)	dB	30
Min. Extinction Ratio	dB	18
Min. Crosstalk (1->3)	dB	55
Min. Return Loss	dB	50
Max. Average Optical Power	mW	300
Max. Peak Power for ns pulse	kW	1
Operating Temperature	°C	-5 to + 70
Storage Temperature	°C	-40 to + 85

*IL is 0.3 dB higher, RL is 5 dB lower, and ER is 2 dB lower for each connector added. Connector key is aligned to slow axis.

*The optical path is aligned to slow axis and fast axis is blocked.

Package Dimensions



Ordering Information

PM CIR-①①-②-③-④-P

①①: Wavelength

31 - 1310 nm

55 - 1550 nm

SS - Specify

③: Connector Type

1 - FC/UPC

2 - FC/APC

3 - SC/UPC

4 - SC/APC

N - None

S - Specify

④: Fiber Type

B - 250 μ m bare fiber

L - 900 μ m loose tube

S - Specify

⑤: Fiber Length

Q - 0.75 m

S - Specify

②: Type

2 - Type B