



Polarization Maintaining Tap Coupler (PMTC Series)

Rev 11

The Polarization Maintaining Tap Coupler is manufactured by using advanced technology to allow the input signal to be splitted at various ratios with high extinction ratio.

Specifications

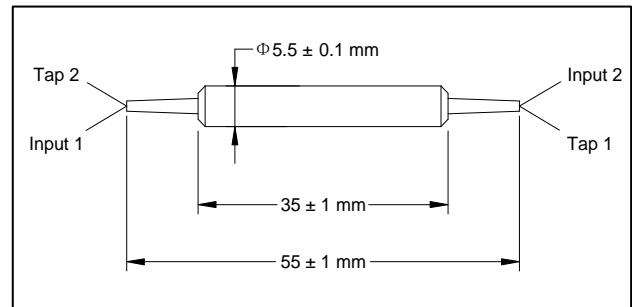
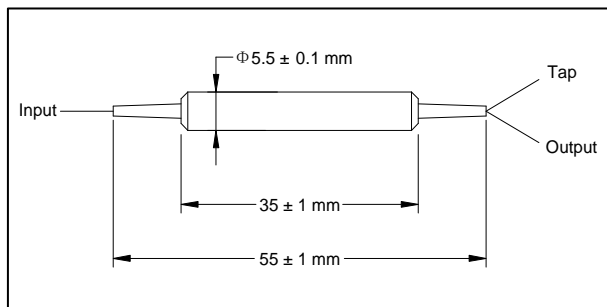
Parameter	Unit	Value	
Center Wavelength	nm	1310 or 1550	
Operating Wavelength Range	nm	$\lambda_c \pm 40$	
Configuration		1 × 2	2 × 2
Max. Excess Loss	dB	0.7	1.1
Max. Uniformity (only for 50%)	dB	0.6	0.8
Tap Ratio	%	1 ± 0.2, 2 ± 0.4, 4 ± 0.8, 5 ± 1.0, 10, 20 and 50	
Min. Return Loss	dB	50	50
Min. Extinction Ratio	dB	20	20
Max. Optical Power (Continuous Wave)	mW	300	
Max. Tensile Load	N	5	
Operating Temperature	°C	-5 to +70	
Storage Temperature	°C	-40 to +85	

Fiber Type

SMF-28 or PM Panda fiber for tap port
PM Panda fiber for input & output ports

*IL is 0.3 dB higher, RL is 5 dB lower, and ER is 2 dB lower for each connector added. Connector key is aligned to slow axis.

Package Dimensions



Ordering Information

PMTC-①①-②-③③-④-⑤-⑥-⑦-⑧

①①: Wavelength

②: Configuration

③③: Coupling Ratio

④: Connector Type

31 - 1310 nm

1 - 1 × 2

01 - 01/99 10 - 10/90

1 - FC/UPC 4 - SC/APC

55 - 1550 nm

2 - 2 × 2

02 - 02/98 20 - 20/80

2 - FC/APC N - None

SS - Specify

04 - 04/96 50 - 50/50

3 - SC/UPC S - Specify

05 - 05/95 SS - Specify

⑤: Fiber Jacket

⑥: Fiber Type for Tap Port

⑦: Fiber Length

⑧: Working Axis

B - 250 μm Panda fiber

M - SMF-28 fiber

Q - 0.75 m

F - Fast axis blocked

L - 900 μm loose tube

P - Panda fiber

S - Specify

S - Specify

S - Specify