

TEST DATA SHEET

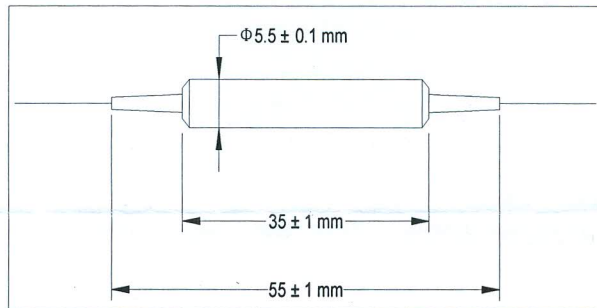
Description: Polarization Maintaining Isolator

Part Number: PMI-2-55-P-N-B-Q-F-P(SR3458)

S/N: 
* 2 3 4 7 4 7 *

Parameter	Unit	Specification	Test Data
Center Wavelength (λ_c)	nm	1550	1550
Max. Insertion Loss, $\lambda_c \pm 20$ nm, all temperature	dB	0.7	0.58
Min. Isolation, $\lambda_c \pm 10$ nm, 23 °C, all polarization states	dB	46	60
Min. Extinction Ratio	dB	20	28
Min. Return Loss (Input)	dB	55	60
Min. Return Loss (Output)	dB	50	60
Connector Type	-	None	
Fiber Type	-	PM 1550 fiber, Φ 250 μ m	
Polarization Axis Alignment	-	Fast axis blocked	
Fiber Length	m	0.75	
Max. Average Optical Power	mW	300	
Max. Peak Power for ns pulse	kW	1	
Max. Tensile Load	N	5	
Operating Temperature	°C	-5 to +70	
Storage Temperature	°C	-40 to +85	

Package Dimensions:



Remark: Input port fiber is black-marked.

Tested By: Lindy

Date: 2012-6-16

Reviewed By: I L

Date: 2012-6-16

Form No.: M06-185-02A